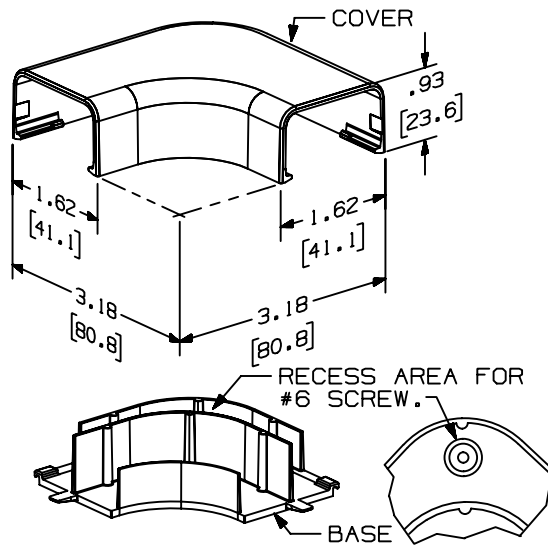


THIS COPY IS PROVIDED ON A RESTRICTED BASIS AND IS NOT TO BE USED IN ANY WAY DETRIMENTAL TO THE INTERESTS OF PANDUIT CORP.

PANDUIT PART NO.	WEIGHT
RAFX10	8.7 LB/100 PCS (3950 g/100 PCS)



- NOTES:
1. SEE CURRENT CATALOG FOR ADDITIONAL PART NUMBER SUFFIXES TO INDICATE COLOR AND OR PACKAGE QUANTITY.
  2. THIS PRODUCT IS INTENDED TO BE USED WITH PANDUIT TYPE LD10, LDP10 AND LDP210 RACEWAY.
  3. NOMINAL WALL THICKNESSES:  
BASE = .090 [2.3]  
COVER = .070 [1.8]
  4. THIS PRODUCT IS FEATURED WITH THE TIA/EIA COMPLIANT BEND RADIUS.
  5. DIMENSIONS IN PARENTHESIS ARE IN METRIC.

CAD FILENAME/LAYERS D35013BE\_LD\_RAFX10\_01.PRT

**PANDUIT** CORP. TINLEY PARK, ILLINOIS  
 RIGHT ANGLE FITTING BASE AND COVER (RAFX10)  
 CUSTOMER DRAWING

UNLESS OTHERWISE SPECIFIED,  
 DIMENSIONAL TOLERANCES ARE:  
 (.X) ± (.XXX) ±.015 (.4)  
 (.XX) ±.03 (.8) ANGLES ±

UNLESS OTHERWISE SPECIFIED,  
 ALL DIMENSIONS ARE GIVEN  
 IN INCHES, THIRD ANGLE PROJECTION.

REV	DATE	BY	CHK	DESCRIPTION	ECN	CHK	CUST	SUP	DRAWN BY	DATE	CHECKED BY	MAT'L:	DRAWING NO.	DWG SIZE
I	03-12-04	JHEP	RGRO	A. REMOVED CD10 FROM NOTE 2	35013-05	RGRO	RGRO		DW	02-13-95	CEF	PVC	35013-05	A
R	02-13-95	DW	CEF	RELEASED TO PRODUCTION	35013-05	CEF	CEF							

SCALE NONE

DRAWING NO.

35013-05

DWG

SIZE